



Travis Perkins



Travis Perkins

MULTI ROOM AUDIO & HOME NETWORKING SOLUTIONS

AVAILABLE AT YOUR LOCAL BRANCH:

BUILDING MATERIALS

PLUMBING & HEATING

PAINTING & DECORATING

LANDSCAPING MATERIALS

TIMBER & SHEET MATERIALS

DRY LINING & INSULATION

TOOL & EQUIPMENT HIRE

DOORS & JOINERY

BATHROOMS & KITCHENS

HAND & POWER TOOLS

**TO FIND YOUR NEAREST BRANCH PLEASE VISIT
WWW.TRAVISPERKINS.CO.UK OR ALTERNATIVELY,
TEXT 'TRAVIS' AND THE TOWN NAME OR POSTCODE
(E.G. 'TRAVIS DERBY') TO 81222***

*you will be charged at your standard network rate. you will not be charged for receiving texts from travis perkins.

**Head office: Lodge Way House, Lodge Way, Northampton NN5 7UG
Telephone: 01604 752424**

The information contained in this publication is believed to be correct and complete at the time of printing. Due to the limitations in the printing process images may not be representative of their true colours. Stock may vary from branch to branch and is subject to availability. All photographs are as a guide only and do not necessarily represent the products available. Travis Perkins reserves the right to change product details without prior notice. Errors & omissions excluded. All products sold subject to Travis Perkins Terms & Conditions of Sale. Travis Perkins plc is the owner of the registered trademark Travis Perkins.

Issue 2.2
JB54146 12/09



**BUILT FOR
THE TRADE**

INTRODUCTION

Travis Perkins is proud to introduce a new, innovative and cost effective solution for multi room audio and full home networking. This modular system allows property developers to differentiate themselves from all the rest by offering their customers that little bit extra.

MULTI ROOM AUDIO

The multi room audio system does exactly what it says. It allows music in multiple rooms of a property. The system is built in during the build or refurbishment. In ceiling speakers offer a discrete solution with ultimate audio quality. An iPod docking station can be used to drive the whole system from a single iPod. Of course any music source can be used with the system but iPods are so popular and easy to use that it is a perfect fit with this audio system.

Simplicity is a key attribute. Simply plug the iPod into the built in docking station and press play. Immediately, music is available in each room of the house. Simply point the mini remote control at the in ceiling speaker and press volume up to turn the speakers on. Set the volume you want in that room and enjoy your favourite music. If you move to a different room turn the speaker in that room on as well and set the volume you want. You can move from room to room enjoying your music.

If you turn the speakers off they remember the volume you previously set so the next time you turn them on they will be at the same volume level for ease of use. If you turn off the iPod (or any other music source in use) then the system notices there is nothing playing and automatically goes into standby mode. That means there is no power being sent around the system wasting energy. The next time you press play on the iPod the system automatically wakes up and is ready to go.

Systems can be provided with all the cables pre terminated making the system totally 'plug and play'. There are no complex wires to connect up. One cable runs from the iPod Dock to the main hub and then one cable from the main hub to the right speaker and one more cable from the right speaker to the left speaker. No specialist tools or knowledge is required. It really is that simple. The on site electrical contractor can install the entire system with technical backup direct from Aldous Systems. Training is available if required. On site installation assistance can also be provided where the electrical contractor needs extra security on a first project. Alternatively Aldous Systems can provide qualified installers to install the system.

The system is capable of driving many pairs of speakers for large properties and is also available as multi source. This means that up to 4 audio devices can be connected and the user can choose which audio source to listen to in each room independently of any other room. A local source can also be included in a room to cater for local audio devices. This can be another iPod. If children have their own iPod and do not want to listen to parent's choice of music then they can have their own iPod dock.



HOME NETWORKING

If telephone, computer and TV networking is also required then our Home Networking solution is an ideal fit. The home networking solution provides a neat and compact solution for all these services and audio as outlined above. This network hub can be located in a utility room or in the back of a cupboard out of the way. The incoming telephone line is connected into the hub and broadband router is located in or adjacent to the hub. Telephone/Computer sockets are then located in each room where these services are required and cabled back to the hub. The incoming telephone line or lines are then available from each room. The broadband connection can also be shared by multiple computers concurrently.



The TV system distributes analogue and digital TV around the house. A Sky box can be connected to the system and the Sky box can be enjoyed from each room with a TV socket. FM and DAB radio is also distributed by the system. An appropriate TV aerial and Sky dish is required separately. For developers the cables for the serial system can be left in the loft for the user to connect up or Aldous Systems can provide a qualified aerial fitter to do this for you.

Installation of the Home Networking system does require an installer familiar with such systems. Aldous Systems offers installer training for this system and recommends attending the one day training course if the installer has not fitted this system before.



Aldous Systems
(Europe) Ltd

CEPro US 2009 Awards



A-BUS DIRECT SCOOPS BEST IN-CEILING SPEAKER BELOW \$1000

Announced at Cedia US 2009, the A-BUS Direct in-ceiling speaker won the CEPro award for best in-ceiling speaker below \$1000. This is a huge achievement and well deserved recognition for this excellent product. The A-BUS Direct Active Speaker is branded as Eaton in the US but available under the Forté brand in the UK from Aldous Systems (Europe) Ltd.

"Eaton's A-BUS Direct speakers could be best described as audio made easy! Adding additional speakers to an already existing A-BUS system only requires a single CAT5 cable run directly to the speaker location. This new design not only eliminates the need to fish wire to a volume control location on the wall, but it also cuts down on the amount of speaker cable needed. The volume control and amplifier are now built directly into the speaker. Placing the amplifier at the speaker location ensures a proper match of power to the speaker and eliminates cable/signal loss.

Features

- Eliminates the need to fish wire for a volume control. The volume control is mounted in the ceiling speaker
- Amplifier is located at the speaker location eliminating heat issues that are normally associated with A-Bus volume controls this also allows us to perfectly match the amp to the speaker for better performance
- System is supplied with a brand new remote control design that can be placed in a cradle or easily stuck to a metal surface

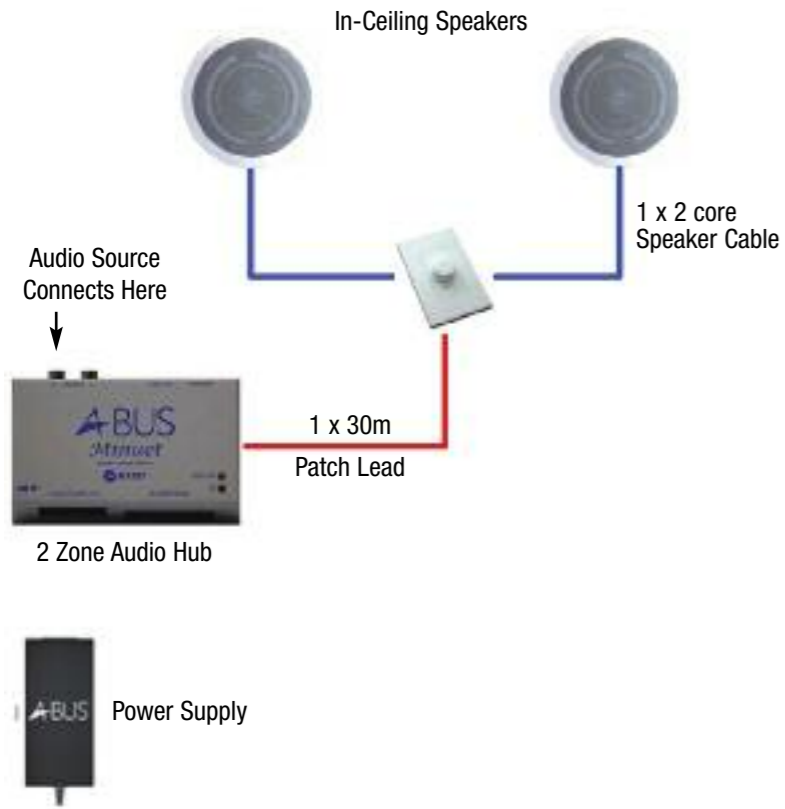
Integrator Benefit

- Eliminates long runs of speaker cable from a wall mounted volume control
- The A-BUS amplifier is matched to the speakers, allowing for better sound quality
- Eliminates the volume control from the wall
- Remote can be mounted or magnetically stuck to a metal surface
- Remote has four programmable buttons that can be used for any IR signal such as fan lighting

Promotional Description

Eaton's A-BUS Direct speakers could be best described as audio made easy! This new unique system only requires a single CAT5 cable run directly to the speaker location. The new design eliminates the need to fish wire to a volume control location on the wall and best of all the volume control and amplifier are now built directly into the speaker. Placing the amplifier at the speaker location ensures a proper match of power to the speaker and eliminates cable/signal loss."

KITS



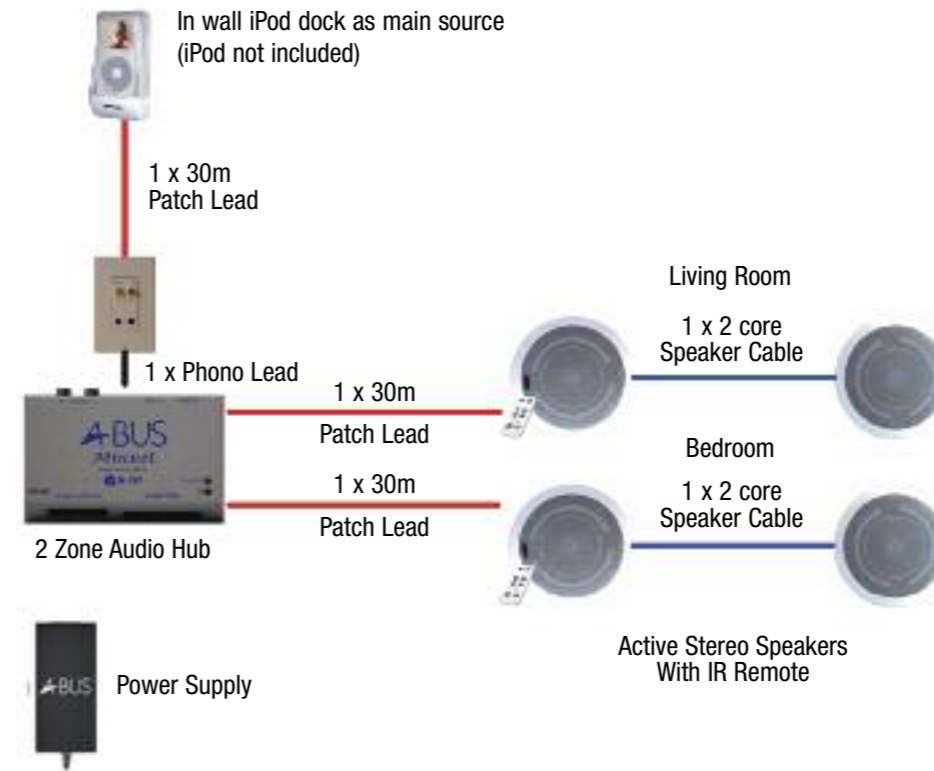
VALUE KIT

1 Zone Single Source with Rotary Knob Control and Cables

Ref: 362219
Price Ex VAT: £472.85

- Works with any music source e.g. iPod, DAB, Radio, MP3 etc
- No termination of cables required
- Simple 'Plug & Play' installation

KITS

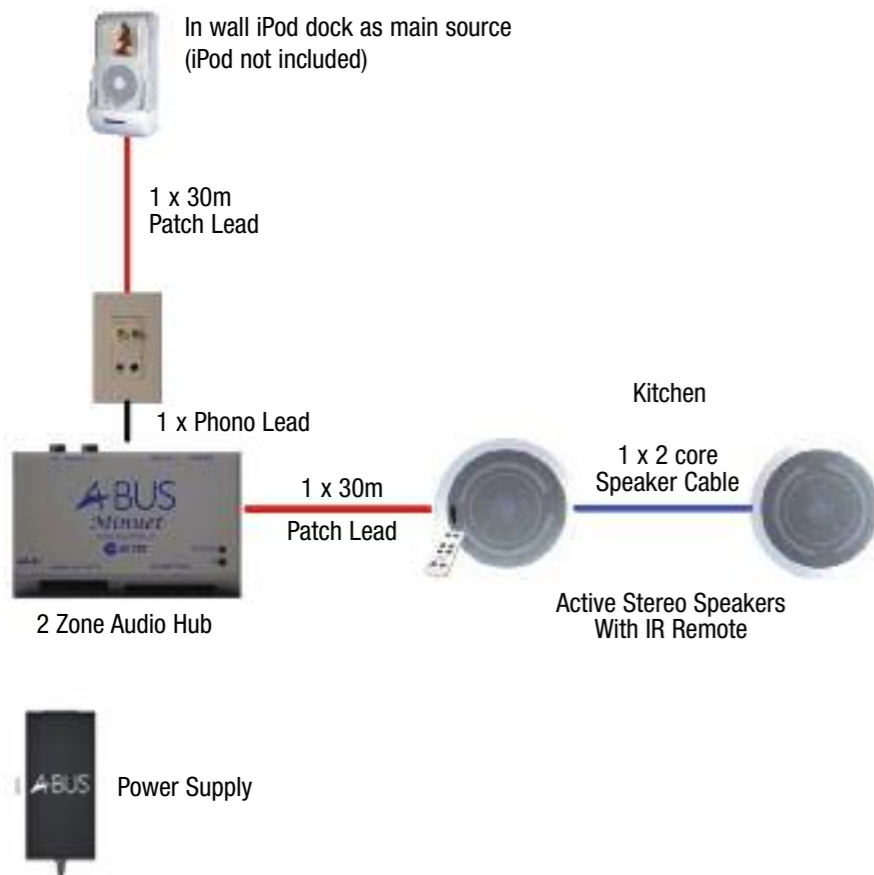


KIT 1

2 Zone Single Source with Active Speakers, Infra Red and iPod Dock and Cables

Ref: 719258
Price Ex VAT: £1289.54

- iPod charges whilst located in iPod docking station
- 'Plug & Play' installation
- Remote control for speakers
- You decide which rooms have audio
- Award winning in-ceiling speakers

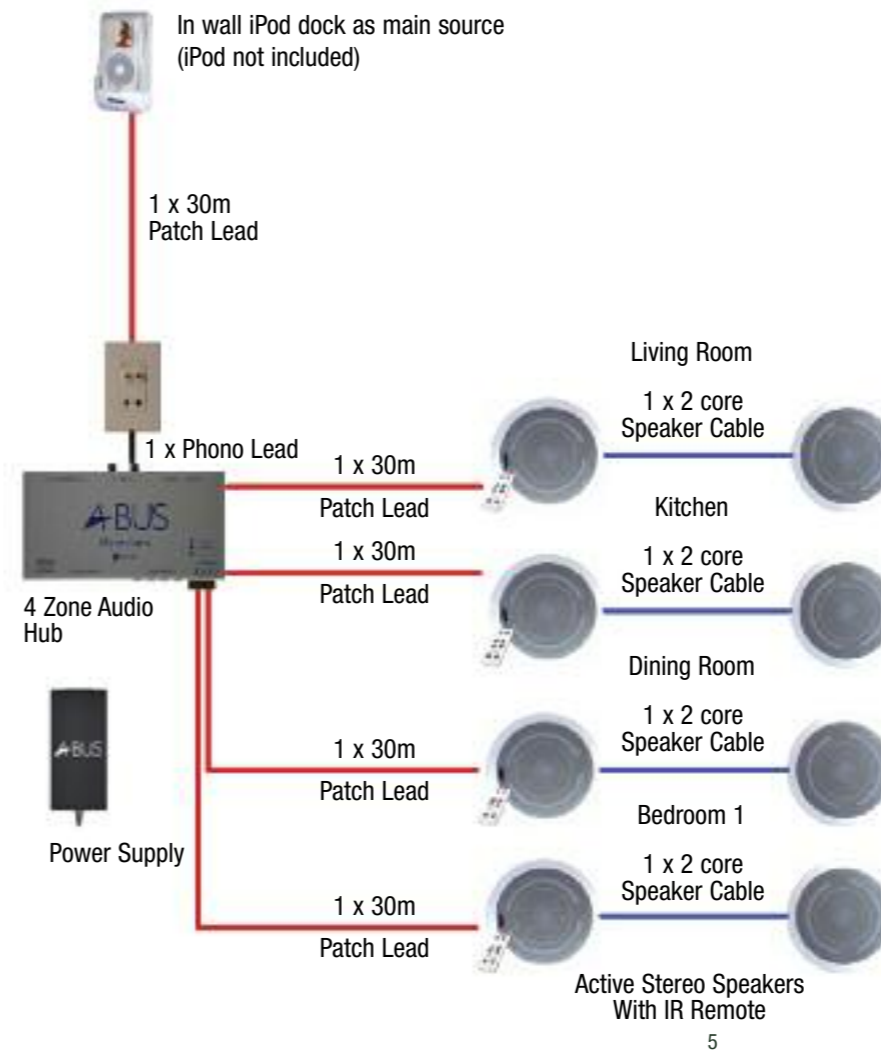


INTRO KIT

1 Zone Single Source with iPod Dock and Cables

Ref: 200593
Price Ex VAT: £964.71

- iPod charges whilst located in iPod docking station
- 'Plug & Play' installation
- Remote control for speakers
- You decide which rooms have audio
- Award winning in-ceiling speakers



KIT 2

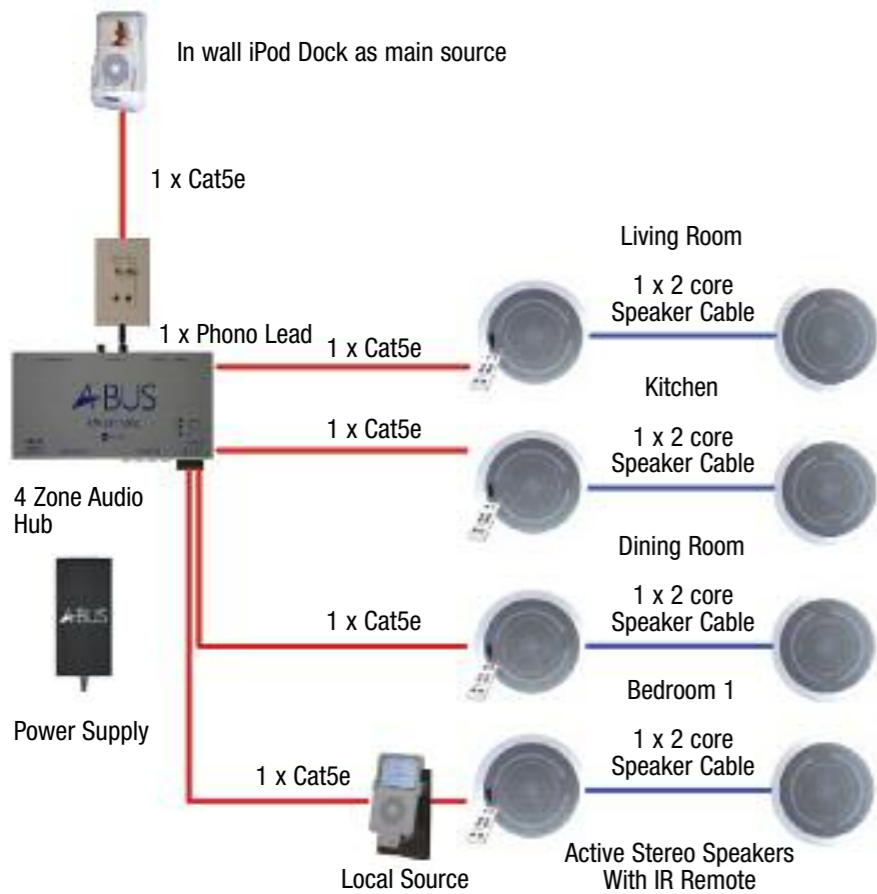
4 Zone Single Source System with iPod Dock and Cables

Ref: 719259
Price Ex VAT: £2154.69

- iPod charges whilst located in iPod docking station
- 'Plug & Play' installation
- Remote control for speakers
- You decide which rooms have audio
- Award winning in-ceiling speakers



KITS

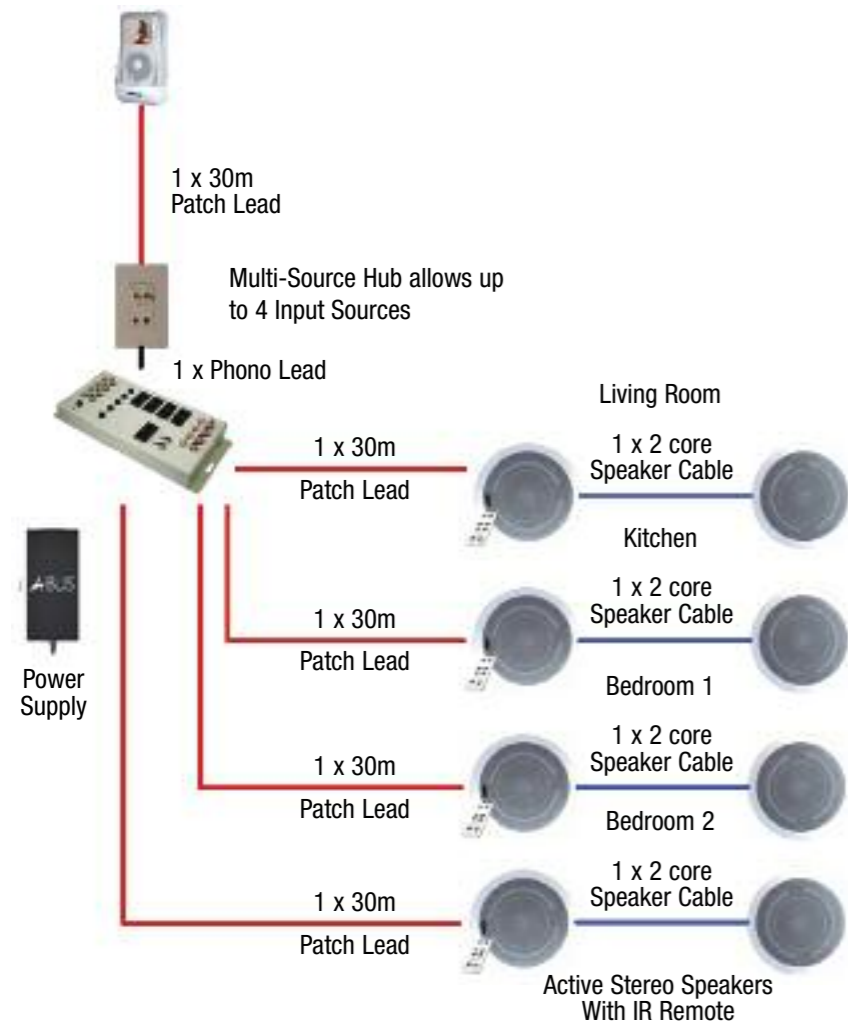


KIT 3

4 Zone Single Source System with iPod Dock and Local Source iPod Dock

Ref: 719260
Price Ex VAT: £2166.41

- Features a Local Source iPod docking station
- Allows music to be played in a specific room, overriding the Main iPod



KIT 4

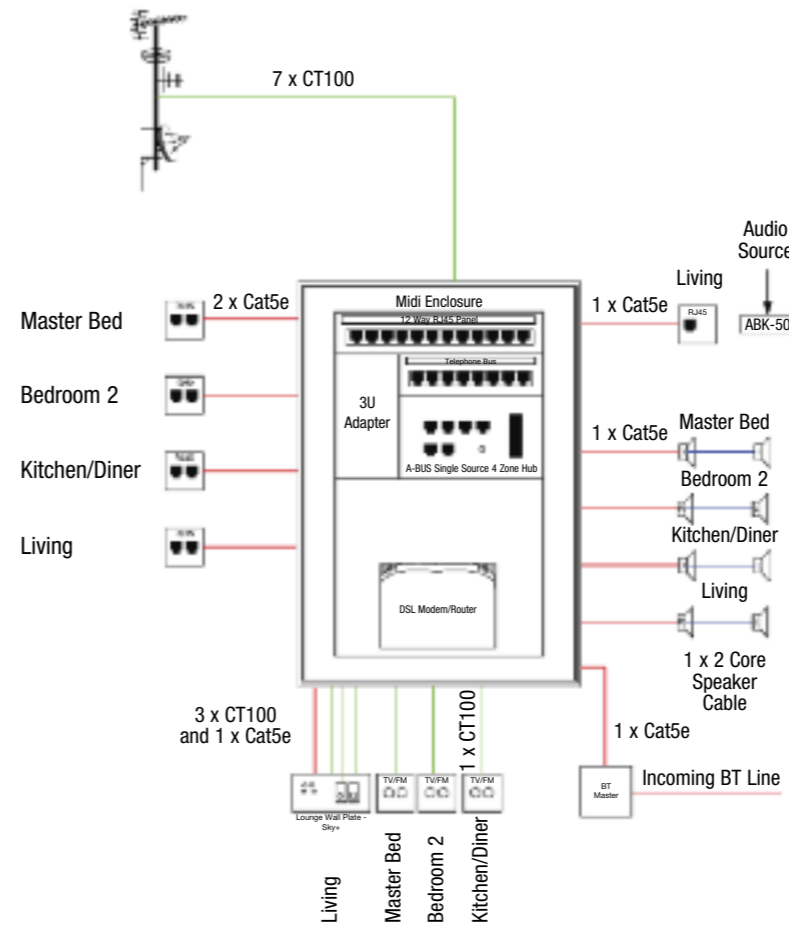
4 Zone Multi Source with Active Speakers and Infra Red with iPod Dock and Cables

Ref: 719261
Price Ex VAT: £2677.52

- Multi Source allows up to 4 separate Audio Inputs (ie. Sky, iPod, DAB Radio, DVD)
- A-Bus Remote Control allows you to select any music source in any room
- Allows expansion to include 4 Sub-Zones - perfect if you require 2 pairs of speakers in a single room



KITS



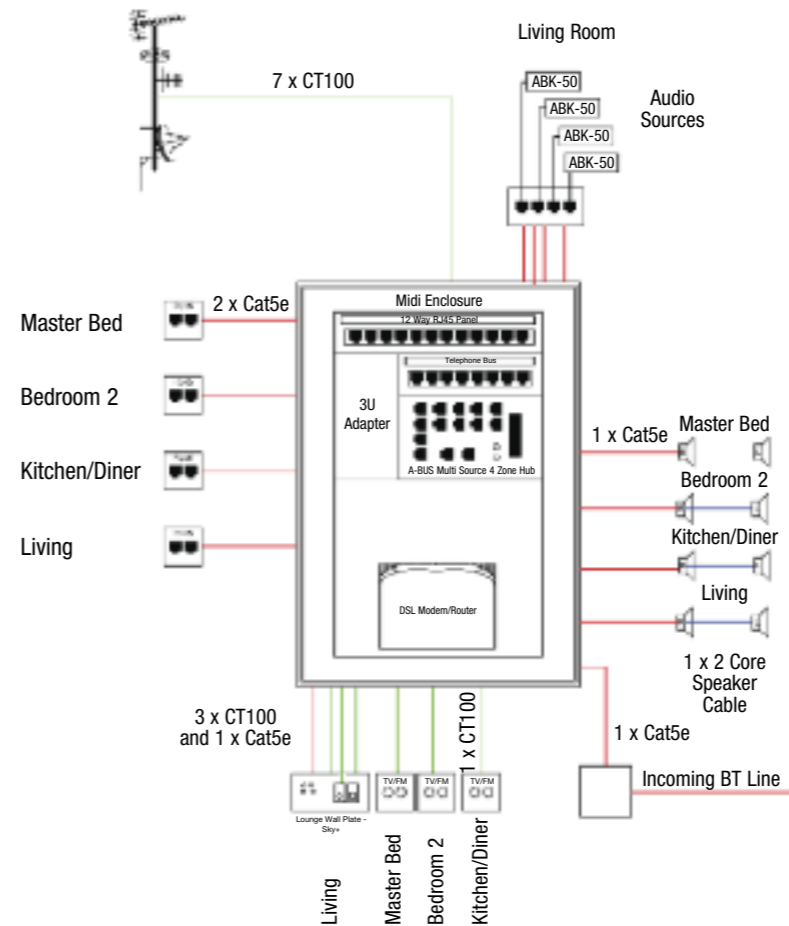
KIT 5

4 x Telephone / Computer, 4 x TV, 4 x Single Source Audio

Ref: 719262 (Flush Mount)
Price Ex VAT: £2482.09

Ref: 719263 (Surface Mount)
Price Ex VAT: £2482.09

- Compact and neat solution for 4 zones of Single Source Audio, Telephone, Computer and TV networking
- Cabinets are available either surface or flush mount



KIT 6

4 x Telephone / Computer, 4 x TV, 4 x Multi Source Audio

Ref: 719264 (Flush Mount)
Price Ex VAT: £3082.75

Ref: 719265 (Surface Mount)
Price Ex VAT: £3083.87

- Compact and neat solution for 4 zones of Multi Source Audio, Telephone, Computer and TV networking
- Cabinets are available either surface or flush mount



ACCESSORIES

A-BUS/DIRECT 6 1/2" ACTIVE SPEAKER (PAIR)

The A-BUS/DIRECT Speakers have revolutionised multi room audio. These speakers include the amplifier integrated into the right speaker. Cat5e can be run from the hub all the way to the right speaker. The right speaker comes with the A-BUS remote control. Speaker cable is used to link the right speaker to the left speaker.

Ref: 427645
Description: Active
Price Ex VAT: £358.07



A-BUS/DIRECT 6 1/2" ACTIVE SPEAKER (SINGLE)

The A-BUS/DIRECT Speaker is available as a single speaker. This can be used in a bathroom or en-suite where limited ceiling space prevents a pair of speakers being fitted. The speaker has a Stereo or Mono switch which can be used to ensure the single speaker is playing all the audio when installed in a single speaker situation.

Ref: 640279
Description: Active
Price Ex VAT: £313.73



A-BUS 6 1/2" PASSIVE SPEAKER (PAIR)

The A-BUS high quality speakers are also available as conventional passive speakers. These speakers are used when a keypad is used and therefore there is no need for the active speaker.

Ref: 427646
Description: Passive
Price Ex VAT: £122.17



TWO ROOM SINGLE-SOURCE HUB

- Two-room hub with infra red outputs and status
- Will power up by either auto music sensing or voltage trigger from status input
- 1 x APS-40 Power supply

Ref: 427636
Price Ex VAT: £210.64



SINGLE INPUT INTERFACE

- Takes audio input (RCA) and converts to A-BUS output (RJ-45)
- Enables standard source to connect via single Cat5e remote from hub
- Powers by automatic music sensing or voltage trigger from status input
- Use with AB-62 or Home Networking system

Ref: 427638
Price Ex VAT: £147.45



FOUR ROOM, FOUR SUB ZONE MULTI-SOURCE HUB

- Surface-mount hub with four stereo inputs (RCA) with four dual-zone A-BUS (RJ-45) outputs (A & B each)
- Expansion output to either main system amplifier or additional ABX-88
- Input level adjustment, routed emitter ports, common IR output, 12 volt trigger, system status and talkback LED's
- 1 x APS-40 power supply
- 1 x ABO-41RC A-BUS, programmable remote

Ref: 427639
Price Ex VAT: £800.39



50X50 SINGLE INPUT INTERFACE

- Same as 427638
- RJ45 Connection
- Use with AB-62 or Home Networking system
- Requires 47mm deep UK back box

White Ref: 200599
Black Ref: 200600
Price Ex VAT: £160.84



FOUR ROOM SINGLE-SOURCE HUB

- Four-room hub with infra red outputs and status
- Will power up by either auto music sensing or voltage trigger from status input
- 1 x APS-40 Power supply

Ref: 427637
Price Ex VAT: £315.95



SINGLE FACEPLATE

- Fits UK Single gang back box
- For use with 50x50 modules

Ref: 464927
Price Ex VAT: £1.99



SINGLE INFRA RED MINI EMITTER

Ref: 427641
Price Ex VAT: £8.92



A-BUS

ACCESSORIES

4A (96W) POWER SUPPLY

Ref: 427644
Price Ex VAT: £80.05



MINI REMOTE CONTROL

- Provides commands for volume up/down and source select

Ref: 427642
Price Ex VAT: £13.70



PROGRAMMABLE REMOTE CONTROL

- Learning remote control with A-BUS controls & memory
- 6-bank A-BUS remote handset with code library, learning & macro capability

Ref: 427643
Price Ex VAT: £73.73



ON WALL PROGRAMMABLE REMOTE CONTROL/KEYPAD

- Learning remote control with A-BUS controls & memory
- 9 programmable buttons
- Magnetically held in the cradle

Ref: 200601
Price Ex VAT: £65.36



IPOD DOCK FOR A-BUS LOCAL SOURCE

- Ideal for children's bedrooms

Ref: 640280
Price Ex VAT: £255.31



STANDARD KEYPAD

- Rotary knob volume control
- Cat5 110 colour coded punch down
- Single-gang screwless wall plate

Ref: 427631
Price Ex VAT: £109.52



INFRA RED KEYPAD

- Rotary knob volume control
- Infra red relay and status indication
- Cat5 110 colour coded punch down
- Single-gang screwless wall plate

Ref: 427632
Price Ex VAT: £162.20



TOUCH BUTTON INFRA RED KEYPAD

- Touch button volume control
- Infra red and remote control level adjustment
- Cat5 110 colour coded punch down

Ref: 427633
Price Ex VAT: £172.99



MULTI-SOURCE KEYPAD

- Touch button volume control up/down
- 4-source selection left/right
- Infra-red
- Backlit volume level and source input indication
- Cat5 110 colour coded punch down
- Single gang screwless wall plate
- 1 x ABO-40RC credit card remote

Ref: 427634
Price Ex VAT: 240.13



BACK BOX FOR A-BUS KEYPAD

- This special back box must be used for the A-BUS keypads
- 65mm deep
- Use in dry line or brick walls

Ref: 427635
Price Ex VAT: £7.84



50X50 LOCAL INPUT MODULE

- Enables input of local signal source located in the zone
- Automatic signal switching
- RCA inputs
- RJ45 Connection
- Fits single gang faceplate

White Ref: 200597
Black Ref: 200598
Price Ex VAT: £147.87



A-BUS

EXAMPLE A-BUS AUDIO SYSTEM

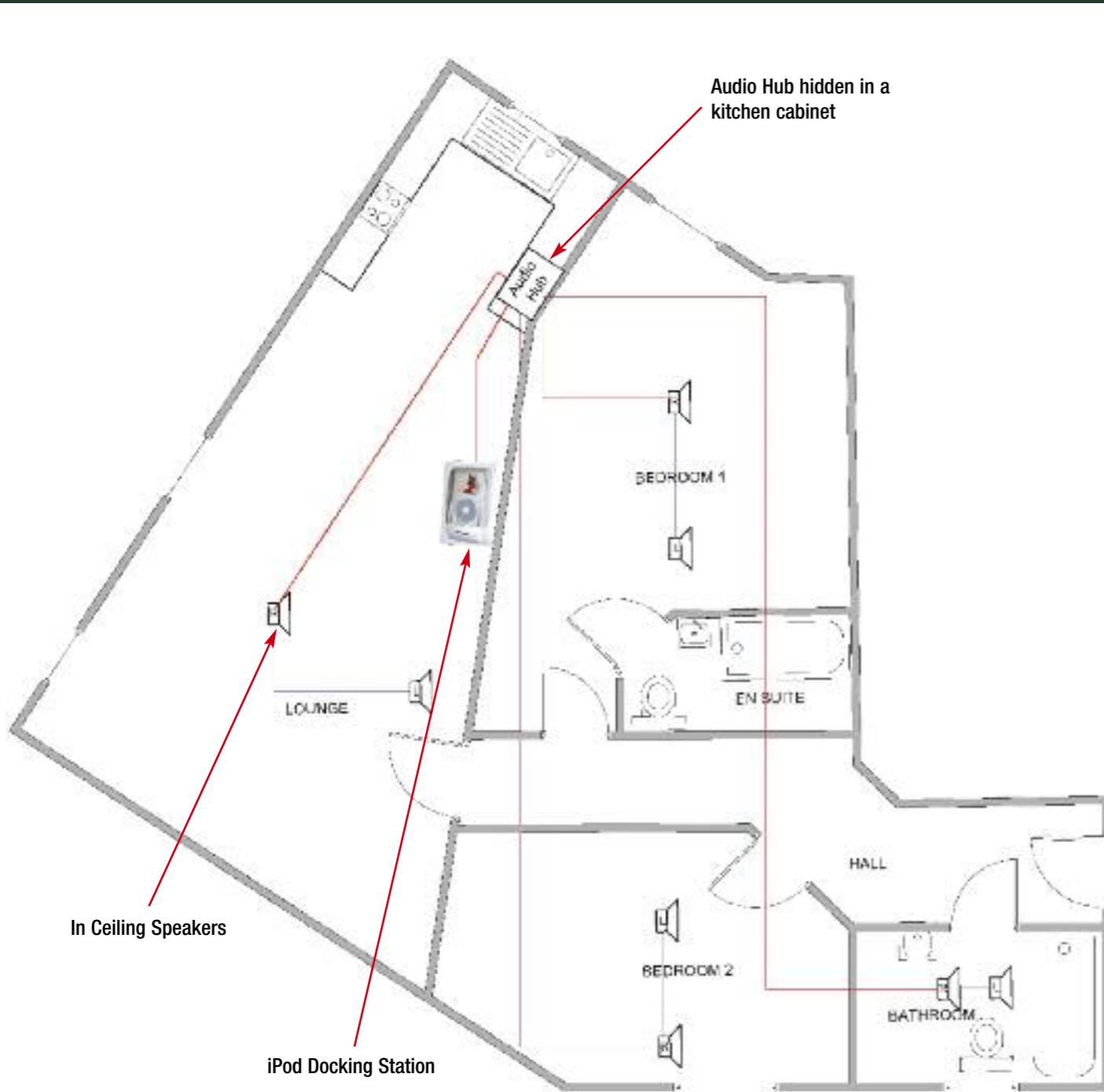
Example 4 Zone Single Source A-BUS Audio System

The diagram below shows an example A-BUS Audio system. The main source is an iPod docking station with an iPod. When the user plugs in the iPod and presses play the music can be enjoyed in the four different rooms shown. More rooms can be catered for for larger properties.

The iPod docking station is cabled back to the audio hub via industry standard Cat5e cable. In this case the audio hub has been hidden away in one of the kitchen cabinets. Cat5e cable is then run from the hub to the speakers. The speakers are fitted in the ceiling for the ultimate integrated solution. The Cat5e cable connects directly to the right speaker. Speaker cable is used to connect the right speaker to the left speaker.

Each speaker comes with a mini remote control to allow the user to turn the music on in each room and set the desired volume level. Each pair of speakers can be controlled independently of each other.

The full system can be supplied with pre-terminated Cat5e cables. This makes installation a "Plug & Play" activity as the Cat5e cables have plugs on the end which plug straight into the speakers at one end and hub at the other. The same is true of the iPod docking station. This makes first and second fix a matter of hours rather than days.



EXAMPLE HOME NETWORKING SYSTEM

Example 4 Zone Home Networking System

The diagram below shows an example Home Networking system. This system caters for 4 x Telephone/Computer Sockets, 4 x TV sockets (including Sky) and 4 x audio zones playing music from an iPod. More rooms can be catered for, for larger properties. The central hub has been located in the utility room in this example system.

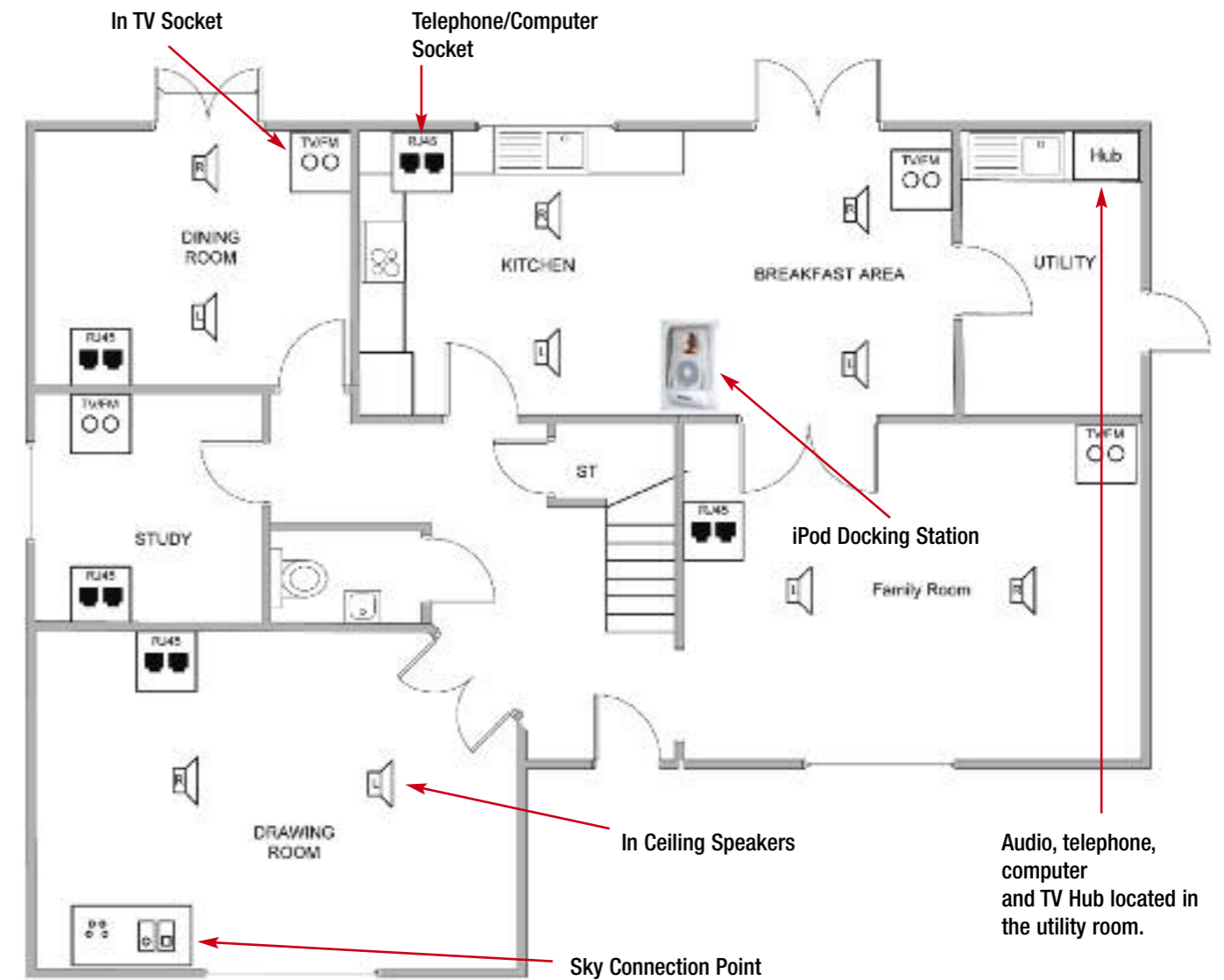
The main audio source is an iPod docking station with an iPod. When the user plugs in the iPod and presses play the music can be enjoyed in the four different rooms shown.

The iPod docking station is cabled back to the audio hub via industry standard Cat5e cable. Cat5e cable is then run from the hub to the speakers. The speakers are fitted in the ceiling for the ultimate integrated solution. The Cat5e cable connects directly to the right speaker. Speaker cable is used to connect the right speaker to the left speaker.

Each speaker comes with a mini remote control to allow the user to turn the music on in each room and set the desired volume level. Each pair of speakers can be controlled independently of each other.

The incoming telephone line is brought into the hub and there are 2 x Cat5e cables run to each telephone/computer socket. The broadband router is also located in or adjacent to the hub. From here the telephone and computer network is extended to each room. Each telephone/computer socket has 2 connections available. One is for a telephone and one is for a computer in the 4 rooms. Each room can work concurrently with the other room sharing the telephone line and broadband connection.

The TV system provides 4 TV sockets. The special socket in the lounge is for connection of the Sky box. An aerial system and Sky dish is required (not supplied in the kit). In each room the user can connect a TV to receive analogue and digital TV and the Sky signal from the set top box in the lounge.



NOTES

NOTES